



CITROËN C2



CITROËN
C2
URBAN-SPORTS CAR

EYE CATCHING. THE DISTINCTIVE AND CONTEMPORARY STYLING OF THE CITROËN C2 CONVEYS AN INDIVIDUALISTIC AND ADVENTUROUS LITTLE CHARACTER.

COMPACT, EASY TO HANDLE, AND VERY MUCH AT EASE IN THE CITY, YOU WILL BE IMPRESSED TO SEE JUST HOW CLEVER THE CITROËN C2 IS...



	VT	VTR	VTS
PETROL ENGINE AVAILABILITY			
1.1i 8V 61hp	•		
1.4i 8V 75hp		•	
1.6i 16V 125hp			•
DIESEL ENGINE AVAILABILITY			
1.4HDi 8V 70hp		•	

RESOLUTELY MODERN.

CLEAR CUT DESIGN REIGNS IN THE CABIN WITH MODERN AND ORIGINAL TRIM. THE WORLD OF CITROËN C2 IS UNIQUE.

> A. FLEXIBILITY

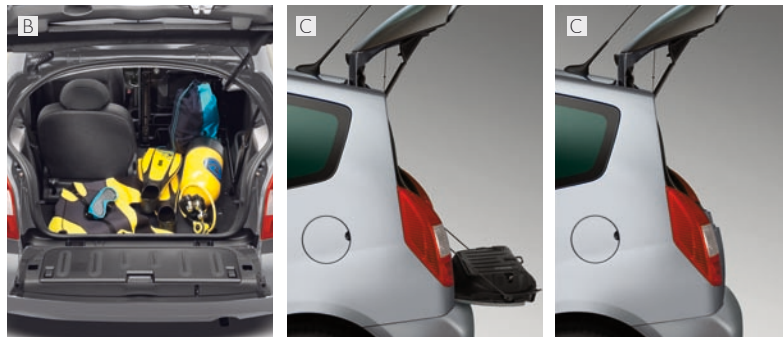
Modularity doesn't come close to describing the flexibility that the Citroën C2 rear seating can offer. The seats are independent of each other and so, can fold and be moulded to your every need.

> B. CLEVER SPACE

The clever use of space means there's ample elbow room, while the elevated roofline creates an ambience of roominess.

> C. EFFECTIVE SIMPLICITY AT LAST!

The Citroën C2 caters to your every need with an innovative split opening tailgate. The boot is easily accessible even when space is at a premium. Ideal for loading up on those shopping trips to town.



ACCESSORIES YOU WON'T WANT TO BE WITHOUT.

ENHANCE YOUR C2 WITH CITROËN'S WIDE RANGE OF ACCESSORIES, DESIGNED SPECIFICALLY FOR YOUR VEHICLE. ENJOY HIGH-QUALITY IN-CAR ENTERTAINMENT, PERSONALISE YOUR CITROËN C2'S APPEARANCE, OR ADD TO ITS CONVENIENCE, STORAGE AND SAFETY FEATURES.

Contact your local dealer or visit www.accessories.citroen.co.uk for further information. Below is a selection of Citroën C2 accessories:



> TOMTOM GO SATELLITE NAVIGATION

Easy to use with a high quality touchscreen.



> 16" 'LEOPARD' ALLOY WHEELS

Personalise your vehicle.



> ELECTRIC SUNROOF

Increase your comfort within the vehicle.

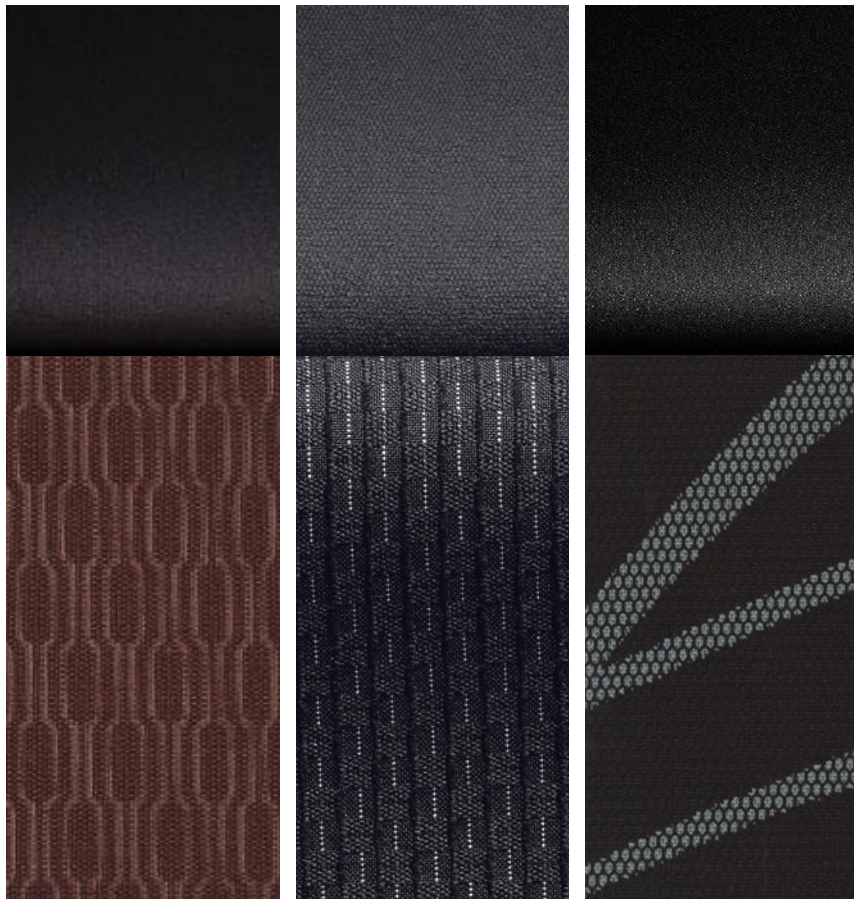


> REVERSE PARKING SENSORS

Reverse your Citroën C2 safely and easily.

CITROËN C2

COLOURS, TRIMS,
WHEELS & OPTION



Standard on VT model

Standard on VTR models

Standard on VTS model

Red 'Trio' and Tramontane cloth

Mistral 'Anjou' cloth

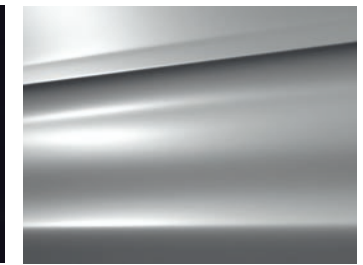
Tramontane 'Xell' cloth



Sport Red



Obsidian Black (pearlescent)



Arctic Steel (metallic)

14" 'CONDOR'
WHEEL COVERS
Set of four
Tyres: 175/65 R14

VT	VTR	VTS
•	•	

16" 'SUZUKA'
ALLOY WHEELS
Set of four
Tyres: 195/45 R16

VT	VTR	VTS
		•



Please note: Colours and pictures shown are for illustration purposes only. Please consult your Dealer for definitive colour and trim/upholstery details.

- Standard equipment
- Optional factory fitted equipment

OPTION SUMMARY
Metallic/Pearlescent paint

	VT	VTR	VTS
Metallic/Pearlescent paint	○	○	○

CITROËN C2 EQUIPMENT SPECIFICATION

	VT	VTR	VTS
SAFETY & SECURITY			
ABS with Electronic Brakeforce Distribution (EBD) and Emergency Braking Assistance (EBA)	•	•	•
Electronic Stability Programme (ESP)			•
Driver's airbag	•	•	•
Front passenger's airbag with cut-off device	•	•	•
Front lateral airbags		•	•
Energy absorbing side impact protection	•	•	•
Front seat belt pre-tensioners with force-limiters	•	•	•
Height-adjustable front seat belts	•	•	•
Four 3-point inertia reel seat belts	•	•	•
Automatic activation of hazard warning lights (in case of rapid deceleration or impact)	•	•	•
High-frequency remote control central locking with deadlocks and dashboard mounted control	•	•	•
Transponder immobiliser	•	•	•
Automatic door and boot locking (when car in motion)	•	•	•
High level third brake light	•	•	•
Anti-theft alarm			•
STORAGE			
Front seat back pockets		•	•
Front door pockets and lockable glove box	•	•	•
Rear storage pockets	•	•	•
Storage compartment in lower part of tailgate	•	•	•
COMFORT & CONVENIENCE			
Variable power assisted steering	•	•	•
Height and reach adjustable steering wheel	•	•	•
Air conditioning		•	•
Air recirculation and pollen filter	•	•	•
12 volt socket	•	•	
Cigarette lighter on lower centre console			•
Electrically adjustable door mirrors		•	•
Front electric windows with 'one-touch' operation (driver's side) and anti-pinch	•	•	•
Split opening tailgate	•	•	•
SEATING			
Height-adjustable driver's seat	•	•	•
Height-adjustable front head restraints	•	•	•
Rear head restraints	•	•	•
Rear split/folding seats	•	•	•
Front sport seats			•

	VT	VTR	VTS
STYLE			
EXTERIOR			
Black grille with black lacquered surround	•		
Black grille with chrome finish surround		•	•
Body colour painted upper front bumpers, side rubbing strips and black lower front skirt	•		
Body colour painted bumpers and side rubbing strips		•	•
Body colour painted side skirts, front bumper reinforcements, front and rear spoiler and door mirrors			•
Tinted windows	•	•	•
Chrome tailpipe			•
14" steel wheels with 'Condor' wheel covers (set of four)	•	•	
16" 'Suzuka' alloy wheels (set of four)			•
INTERIOR			
Black coloured front vents with aluminium effect surrounds	•	•	
Black coloured front vents with chrome effect surrounds			•
Black centre console surround	•		•
Aluminium effect centre console surround		•	
Black release handles	•		
Aluminium effect release handles		•	
Chrome effect release handles			•
Dark grey door handles	•		
'Crystal' translucent door handles and gear knob		•	
Black lacquered door handles and 'Zamack' finish gear knob			•
Aluminium effect gearbox surround		•	
Chrome effect gearbox surround			•
Leather steering wheel			•
Aluminium pedals			•
Cloth front door inserts		•	•
DRIVER INFORMATION			
Rev counter	•	•	•
Digital dashboard display	•	•	•
Digital clock	•	•	•
'Black panel' night-time instrument lighting	•	•	•
Steel spare wheel	•	•	•
Lockable fuel cap	•	•	•
LIGHTING & VISIBILITY			
Front fog lights			•
Twin rear fog and reversing lights	•	•	•
IN-CAR ENTERTAINMENT			
RDS stereo radio/MP3 compatible CD player with steering mounted controls	•	•	•



• Standard equipment

CITROËN C2

TECHNICAL SPECIFICATION



65.7mpg
on 1.4HDi 8V
70hp model



113g/km CO₂
on 1.4HDi 8V
70hp model

	PETROL MODELS			DIESEL MODEL
	1.1i 8V 61hp	1.4i 8V 75hp	1.6i 16V 125hp	1.4HDi 8V 70hp
ENGINE				
Capacity (cc)	1124	1360	1587	1398
Cylinders	4 in line	4 in line	4 in line	4 in line
Max power CEE (kW/rpm)	44.1/5500	54/5400	90/6500	50/4000
Max torque CEE (Nm/rpm)	94/3300	118/3300	143/3750	160/2000
Fuel system	Multi-point electronic fuel injection	Multi-point electronic fuel injection	Multi-point electronic fuel injection	High pressure direct diesel injection
TRANSMISSION				
Five speed manual	•	•	•	•
Clutch type	Dry single plate	Dry single plate	Dry single plate	Dry single plate
(All figures driver alone) PERFORMANCE				
Max speed (mph)	98	105	126	103
0-62mph (secs)	14.4	12.2	8.3	13.5
(Official Government test fuel consumption figures) ECONOMY Litres/100km (mpg)				
Urban cycle	7.5 (37.7)	7.9 (35.8)	9.3 (30.4)	5.3 (53.3)
Extra urban	4.8 (58.9)	4.9 (57.6)	5.4 (52.3)	3.7 (76.3)
Combined	5.8 (48.7)	6.0 (47.1)	6.9 (40.9)	4.3 (65.7)
CO₂ EMISSIONS (g/km)				
	138	143	163	113
Please note: the maximum plated weights must not be exceeded WEIGHTS (kg)				
Kerb weight/Max laden weight	956/1336	990/1362	1084/1415	1003/1391
Max towing weight unbraked/braked	450/520	450/530	450/620	450/540
Max roof rack load	50	50	50	50
BRAKES				
ABS with EBD and EBA as standard	•	•	•	•
Front disc, rear drums	•	•	•	•
Front ventilated discs, rear discs	•	•	•	•
STEERING				
Variable power assisted steering	•	•	•	•
Number of turns lock to lock	3.2	3.2	2.6	3.2
Turning circle between kerbs (m)	9.6	9.6	10.73	9.6
SUSPENSION				
Front	MacPherson suspension with triangulated lower arms, coil springs, telescopic hydraulic dampers and anti-roll bar			
Turning circle between kerbs (m)	Trailing arm suspension with deformable crossmember, coil springs and telescopic hydraulic dampers			
FUEL TANK CAPACITY Litres (gallons)				
	41 (9)			
EXTERIOR DIMENSIONS (mm)				
Length/Width/Height	3666/1659/1477			
Wheelbase	2315			
BOOT VOLUME & DIMENSIONS (Litres)				
4 seat configuration with fixed rear seats	193			
4 seat configuration with sliding rear seats	166 up to 224			
Rear seats folded forward under parcel shelf/up to roof	525/785			
Seats folded up on to themselves under parcel shelf/up to roof	619/879			

ESSENTIAL CARE.

CITROËNS ARE RENOWNED FOR THEIR RELIABILITY – AND THE CITROËN C2 IS NO EXCEPTION. WITH THE ADDED REASSURANCE OF A WARRANTY, ROUTINE SERVICING AND MAINTENANCE, AS WELL AS 24-HOUR ROADSIDE ASSISTANCE, YOU ARE PROTECTED AT EVERY TURN.

CITROËN ADVANTAGE

Enjoy your Citroën for years to come with Citroën Advantage. This extended warranty gives you long-term cover if you're planning to keep your new Citroën for more than three years, or anticipate your mileage to be more than 60,000 miles over this time.

To find out more, contact your Citroën Dealer or call the Customer Contact Centre on 0844 463 3500.

CITROËN MAINTENANCE

From roadside assistance to replacing wear and tear parts or regular servicing, with Citroën Maintenance you have total peace of mind. For a one-off fee or low monthly payment, our experienced engineers will take care of your Citroën, whatever happens.

To find out more, contact your Citroën Dealer or Citroën Authorised Repairer.

CITROËN ASSISTANCE

For all models except Citroën C6: In response to a free telephone call, Citroën Assistance brings rapid expert roadside assistance to you in an emergency. It comes free of charge for a full year and operates 24 hours a day in all parts of the UK and Europe. Services include nationwide recovery for both car and passengers, a home call service, replacement vehicle, hotel accommodation and vehicle storage if required. Please note, Citroën Assistance only applies to incidents covered by the new vehicle warranty, and excludes non-vehicle faults, such as running out of fuel, mis-fuelling, loss of keys, lock-ins, road traffic accidents and punctures/wheel changes. Citroën C6: Citroën Assistance covers all incidents and for a period of 3 years.

Full details are available on request from Citroën UK via cuk_contactcentre@citroen.com

CITROËN WARRANTY

Every new Citroën car has the benefit of a 3 year* warranty package, plus a 12 year anti-perforation** warranty and a 3 year paint warranty.

DRIVE YOUR WAY.

GET BEHIND THE WHEEL OF YOUR NEW CITROËN C2, WITH CITROËN'S RANGE OF FINANCE AND CAR INSURANCE PRODUCTS. HERE YOU CAN FIND EVERYTHING YOU NEED FOR AN ENJOYABLE MOTORING EXPERIENCE. LET YOUR JOURNEY BEGIN...

CITROËN FINANCIAL SERVICES PURCHASE PLAN

Own your vehicle with this flexible package designed to fit your budget.

CITROËN FINANCIAL SERVICES PERSONAL LEASE

Enjoy the convenience of a new car without the stress and hassle of ownership.

CITROËN FINANCIAL SERVICES ELECT 3

A new Citroën car every two or three years with monthly payments structured to suit your budget.

► TO FIND OUT MORE ABOUT CITROËN PRODUCTS AND SERVICES, GO TO WWW.CITROEN.CO.UK OR CONTACT YOUR CITROËN DEALER.

...AND FOR BUSINESS USERS

CITROËN CONTRACT MOTORING HIRE PURCHASE

A tried and tested finance package that allows you to own your vehicle.

CITROËN CONTRACT MOTORING LEASE PURCHASE

Own a vehicle with a finance solution that offers ultimate flexibility to complement your business cash flow.

CITROËN CONTRACT MOTORING BUSINESS LEASE

An alternative to vehicle ownership that allows you to control your business cash flow and gain tax efficiencies.

CITROËN CONTRACT MOTORING CONTRACT HIRE

A non-ownership finance solution that keeps costs fixed and risks low.

► FOR MORE INFORMATION ON CITROËN FLEET AND BUSINESS SALES, PLEASE CALL CITROËN FLEET CONNECT ON 08457 940 940 OR LOOK US UP AT WWW.CITROEN.CO.UK/FLEET

CITROËN INSURANCE***

THE ONLY MOTOR INSURANCE DESIGNED SPECIFICALLY FOR CITROËN DRIVERS, WITH COVER DESIGNED AROUND YOUR PARTICULAR NEEDS.

CITROËN INSURANCE INSTANT COVER

To help you drive away your new car without delay, we offer Instant Cover insurance, providing you with 7 days comprehensive car insurance, for free!

CITROËN INSURANCE MOTOR INSURANCE

Simply put, Citroën Insurance offers real benefits, quality support and the usual high standards you can expect from a big name brand.

CALL US TODAY ON 0870 024 2725 AND DISCOVER MOTOR INSURANCE DESIGNED EXCLUSIVELY FOR CITROËN DRIVERS.

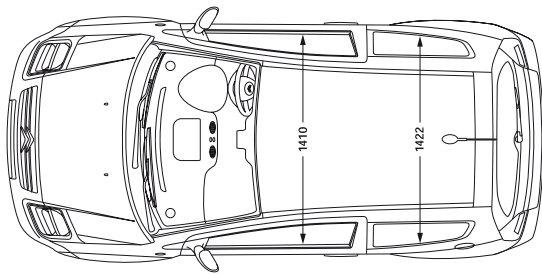
Lines open 8am - 8pm weekdays, 9am - 5pm Saturdays. Max call charge from a BT landline is 8p per minute. Calls from other networks may vary. Citroën Insurance is underwritten by UK Insurance Ltd. Conditions apply.

...AND EVEN MORE!

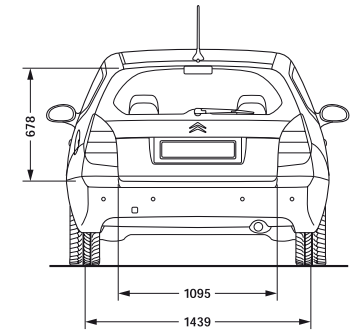
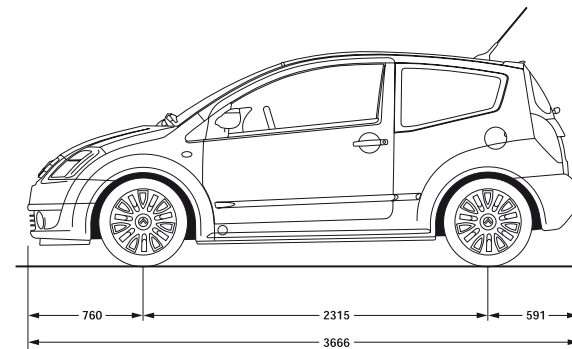
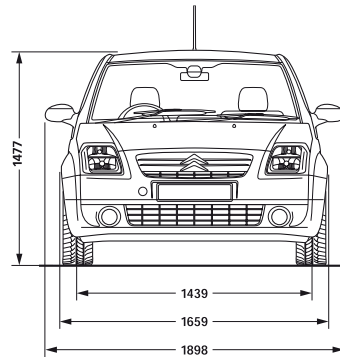
Whether you want protection against unforeseen circumstances that may affect your ability to make your monthly payment, or financial protection against a 'total loss' insurance claim, we will have a product to suit your needs. And you have the confidence of knowing it's all backed up by the brand you know and love, Citroën!

* 2 years' unlimited warranty. No-fee customer option of 1 year's Dealer provided extended warranty, only on cars sourced from Citroën UK Limited. Note: dealer provided warranty is limited to 60,000 miles for cars. ** Against all internal to external perforation to bodywork or underbody.

*** Citroën Insurance is arranged by Banque PSA Finance and underwritten by UK Insurance Limited. Conditions apply. Full details available on request. Credit subject to status and to over 18s only. A guarantee may be required. Written quotations available on request from Citroën Financial Services, Quadrant House, Princess Way, Redhill, Surrey RH1 1QA. Citroën Financial Services is a trading name of Banque PSA Finance. Telephone calls may be recorded or monitored for training or quality purposes.



All measurements in millimetres



This brochure is made from paper from a well-managed forest. Citroën support responsible use of forest resources.

Please don't throw me away, give me to a friend or recycle me.

NOTE: Every endeavour has been made to ensure that the information and details contained in this brochure were accurate at the time of going to press July 2009. However the company reserves the right, whilst preserving the essential characteristics of the models described, to introduce at any time modifications, changes of details, equipment or accessories. Every effort will be made to bring this brochure up to date, but in order to avoid any misunderstandings please consult your Dealer. For full details of Citroën Care for Van and Driver, please see the full manufacturer's price list. The Citroën Website contains full information on all Citroën products and offers available in the UK, together with details of our environmental and recycling policies. The site address is: www.citroen.co.uk or you can contact Citroën directly via cuk_contactcentre@citroen.com

CITROËN prefers TOTAL

CITROËN UK Ltd. 221 Bath Road, Slough SL1 4BA.
www.citroen.co.uk

CRÉATIVE TECHNOLOGIE

